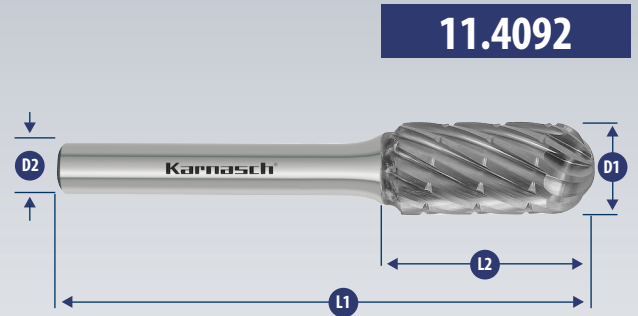
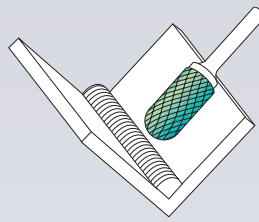


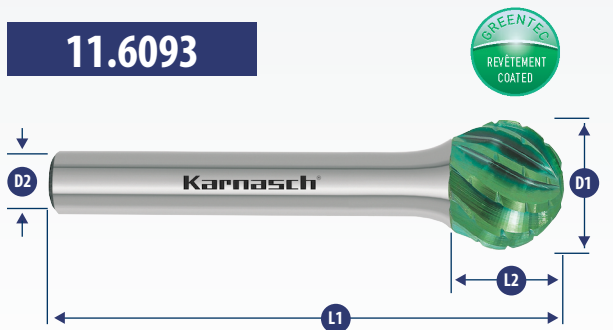
ART	D1	L2	D2	L1	Brazed Brasé	VHM SOLID
11.6092.010	• 6	18	6	50		✓
11.6092.020	• 8	20	6	65	✓	
11.6092.030	• 10	20	6	65	✓	
11.6092.040	• 12DIN	25	6	70	✓	
11.6092.050	• 16	25	6	70	✓	

C FORME / SHAPE **WRC**

Cylindrique bout rond
Ball nosed cylinder



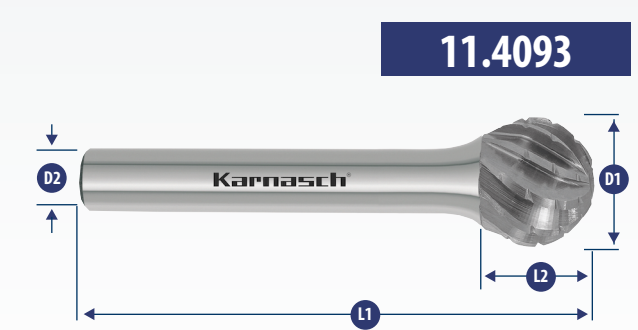
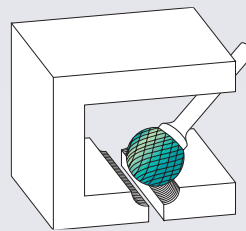
ART	D1	L2	D2	L1	Brazed Brasé	VHM SOLID
11.4092.010	• 6	18	6	50		✓
11.4092.020	• 8	20	6	65	✓	
11.4092.030	• 10	20	6	65	✓	
11.4092.040	• 12DIN	25	6	70	✓	
11.4092.050	• 16	25	6	70	✓	



ART	D1	L2	D2	L1	Brazed Brasé	VHM SOLID
11.6093.010	• 6	4,8	6	50		✓
11.6093.020	• 8	7,0	6	52	✓	
11.6093.030	• 10	9,0	6	54	✓	
11.6093.040	• 12DIN	11,0	6	56	✓	
11.6093.050	• 16	14,0	6	59	✓	

D FORME / SHAPE **KUD**

Sphérique (boule)
Ball



ART	D1	L2	D2	L1	Brazed Brasé	VHM SOLID
11.4093.010	• 6	4,8	6	50		✓
11.4093.020	• 8	7,0	6	52	✓	
11.4093.030	• 10	9,0	6	54	✓	
11.4093.040	• 12DIN	11,0	6	56	✓	
11.4093.050	• 16	14,0	6	59	✓	